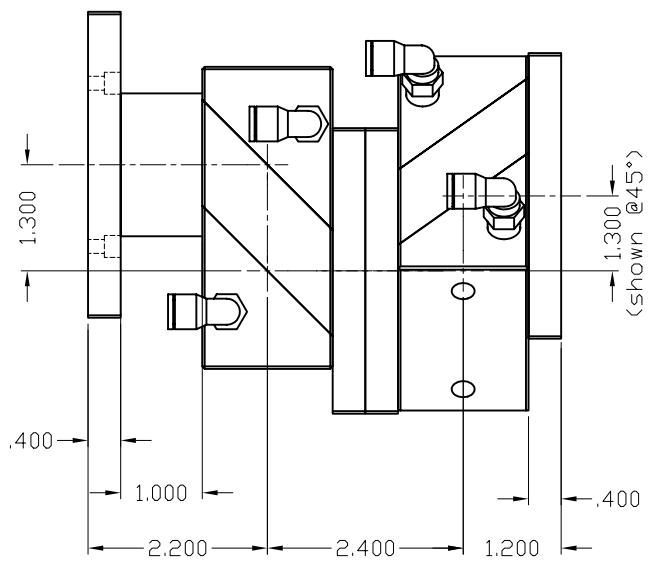
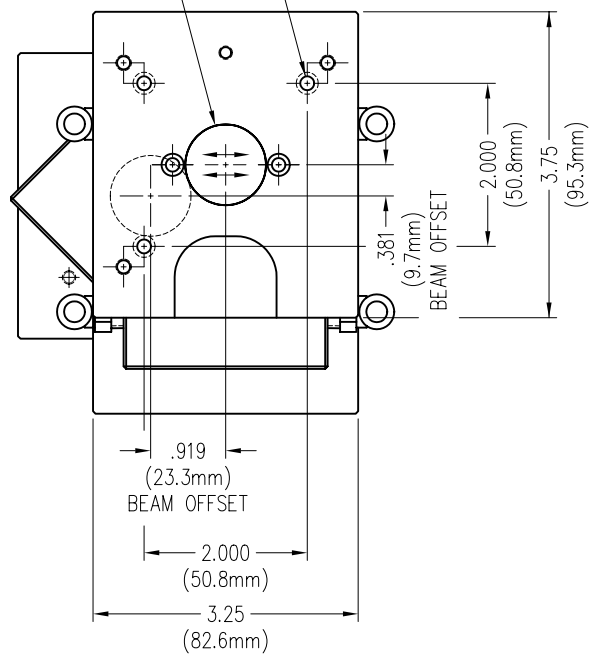
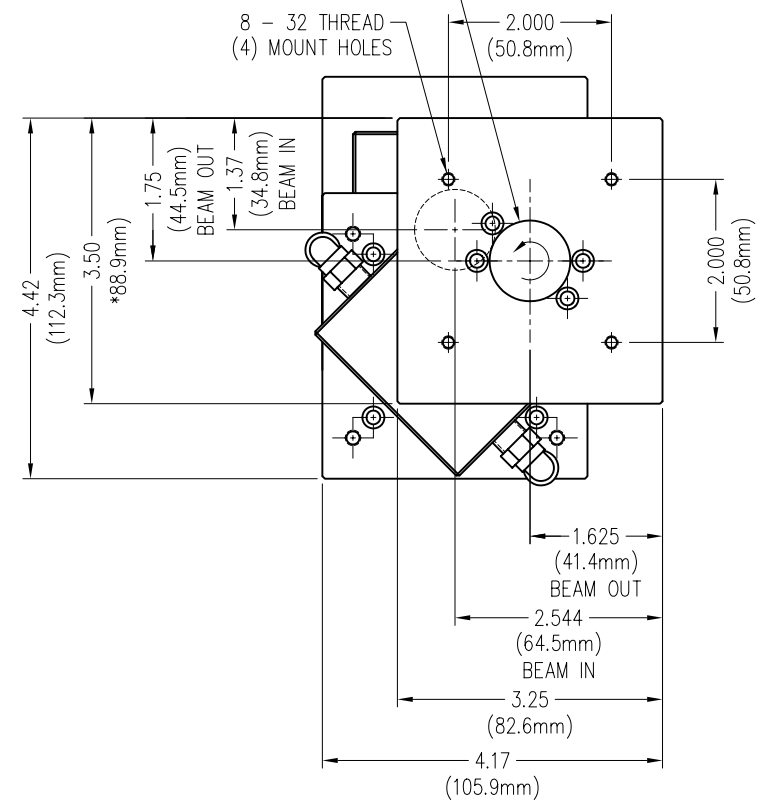


BEAM IN  
POLARIZATION VECTOR  
VERY IMPORTANT  
.990 CLEAR APERTURE  
(25.1mm)  
C'BORE FOR #8 SHCS  
(3) MOUNT HOLES



TOTAL PATH LENGTH  
2.200"  
1.300"  
2.400"  
1.300"  
+ 1.200"  
8.400" TOTAL

BEAM OUT  
CIRCULARLY POLARIZED



NOTE:  
- NO THERMO COMPOUND  
- STAINLESS STEEL HARDWARE

		LASER MECHANISMS, INC. P.O. BOX 2064 SOUTHFIELD, MI 48037		INFORMATION SHOWN ON THIS PRINT IS PROPRIETARY. THIS DRAWING IS NOT TO BE REPRODUCED EITHER WHOLLY OR IN PART WITHOUT THE EXPRESS PERMISSION OF LASER MECHANISMS, INC.	
TOLERANCE EXCEPT AS NOTED	TITLE	DRWN	SDS		
DECIMAL .XX .XXX .XXXX ± .010 .005 .0005	FEED BACK ISOLATOR FOR COHERENT LASERS	DATE	03/07/97		
	MATL.	FINISH	SEE FINISH SPEC SHEET	APPR	GDG
		SCALE	NONE	DATE	09/29/97
ANGULAR ± 30 MIN		DWG. NO.	PLFBI0006	REV	SDS